

Attachment Chains

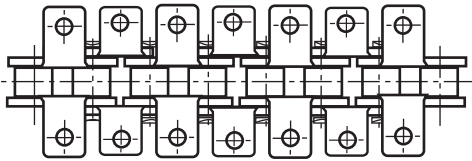
HKK attachment chains are standard ANSI single and double pitch chains with modified side plates or pins. Attachments may be used for a variety of purposes such as conveying, timing, or alignment. Several types of standard attachments are available from stock while custom attachments can be made to order. HKK carbon steel attachment chains are standard with solid rollers and solid bushings, greatly extending chain life. For corrosive or extreme environments, stainless steel, nickel plated, and Aqua-Series chains are also available. HKK stocks many unique attachments for specialized applications such as the poultry, packaging, and forestry industries.

ATTACHMENT SPACING

When referencing attachment chains, the attachment spacing must be specified. The attachment spacing or centers (space from the center of one attachment to the next) should be referred to in terms of pitches (links). When counting pitches both the outside (pin link) and the inside (roller link) must be counted. Example: Attachments on Every Link (all inside and outside links). Attachments on every second pitch on the pin link (every outside link). Attachments on every second pitch on the roller link (every inside link). Attachment every third pitch (alternating between inside and outside links).

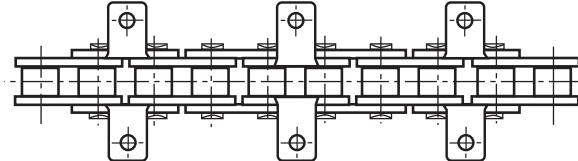
EVERY PITCH

Attachment on both inside and outside links



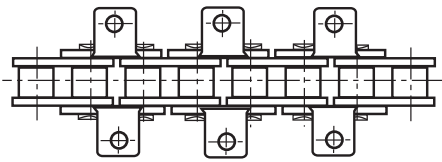
EVERY 3rd PITCH

Attachment alternating on inside and outside.



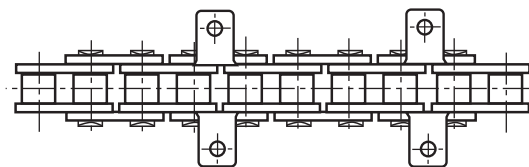
EVERY 2nd Pitch on PIN LINK

Attachment on every outside link.



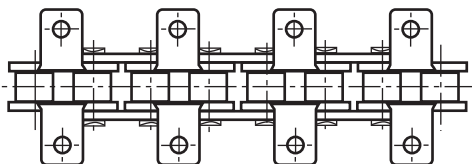
EVERY 4th Pitch on PIN LINK

Attachment on every other outside link.



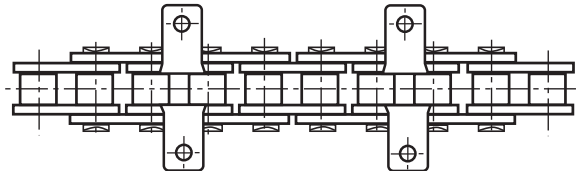
EVERY 2nd Pitch on ROLLER LINK

Attachment on every inside link.



EVERY 4th Pitch on ROLLER LINK

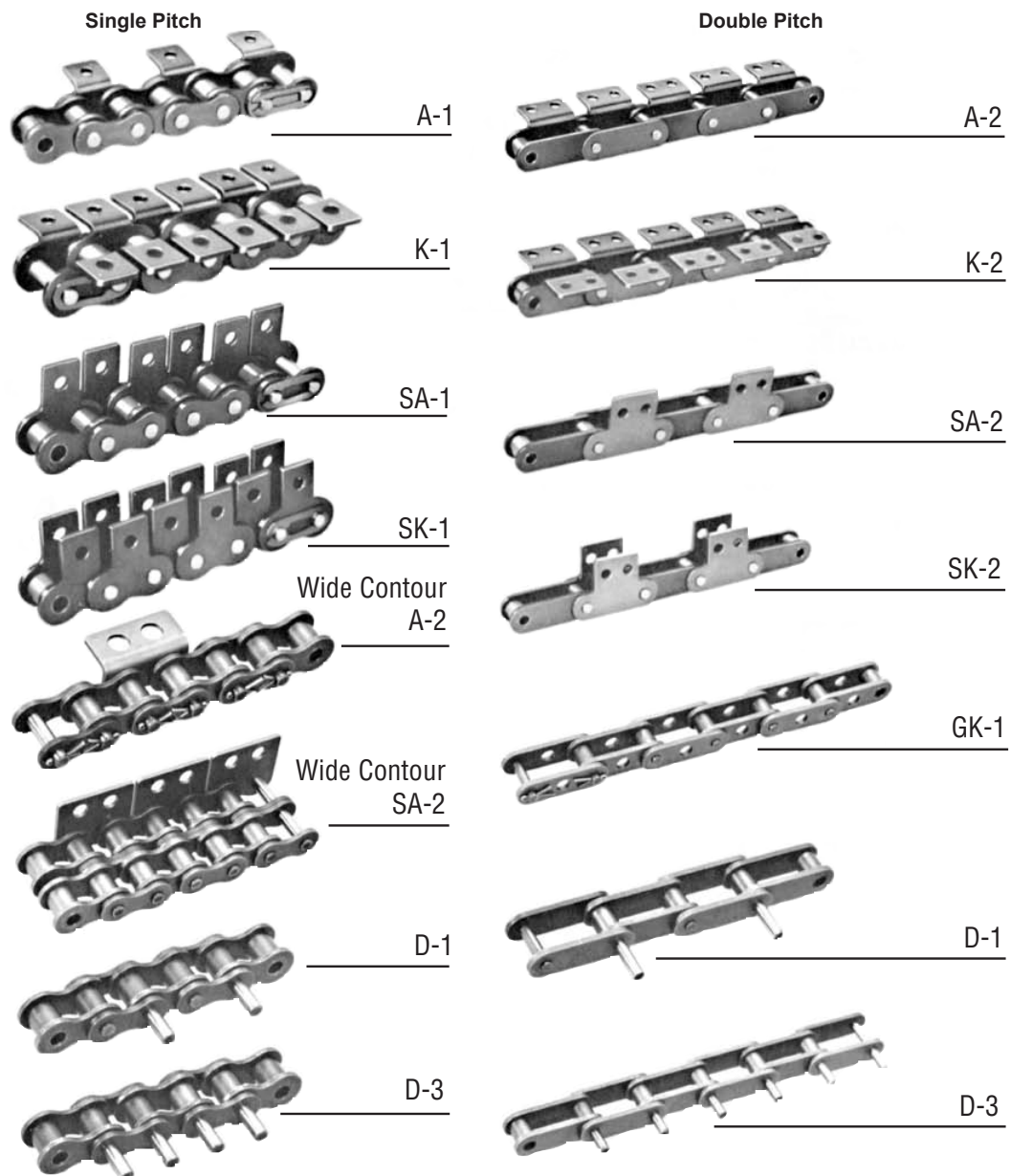
Attachment on every other inside link.



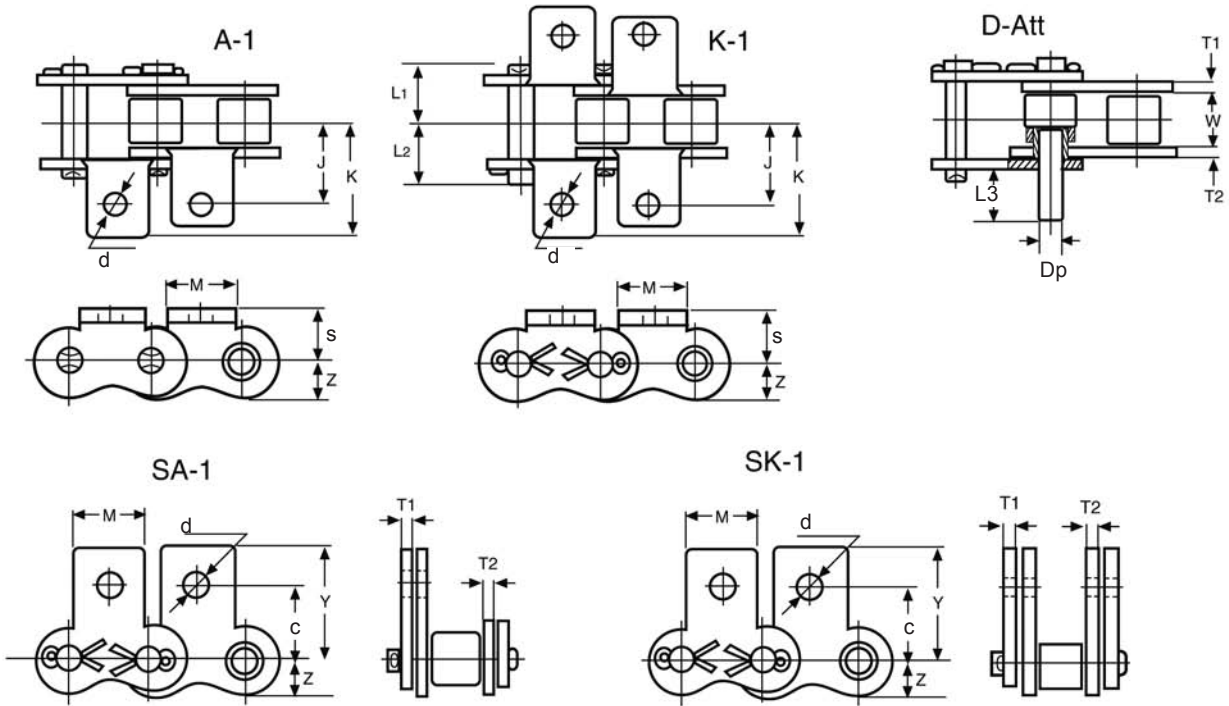
Standard Attachments

HKK Chain stocks most standard attachment chains in carbon steel and stainless steel. Most custom attachment spacing can be assembled with short delivery times. Single pitch chain with two attachment holes in one attachment is considered wide contour. Many custom attachments are also available or can be made to order, (see page 23.)

HKK (new)	HKK (old)	Dodge, Diamond, Morse	Rex, Link Belt
A-1	A-1	B-1, 1 hole	A-1
K-1	K-1	B-2, 1 hole	K-1
A-2	A-2	B-1, 2 hole	A-2
K-2	K-2	B-2, 2 hole	K-2
SA-1	M-1	S-1, 1 hole	M-35
SK-1	MM-1	S-2, 1 hole	M-1
SA-2	M-2	S-1, 2 hole	M-35-2
SK-2	MM-2	S-2, 2 hole	M-2
D-1	D-1	D-1	D-1
D-3	D-3	D-3	D-3



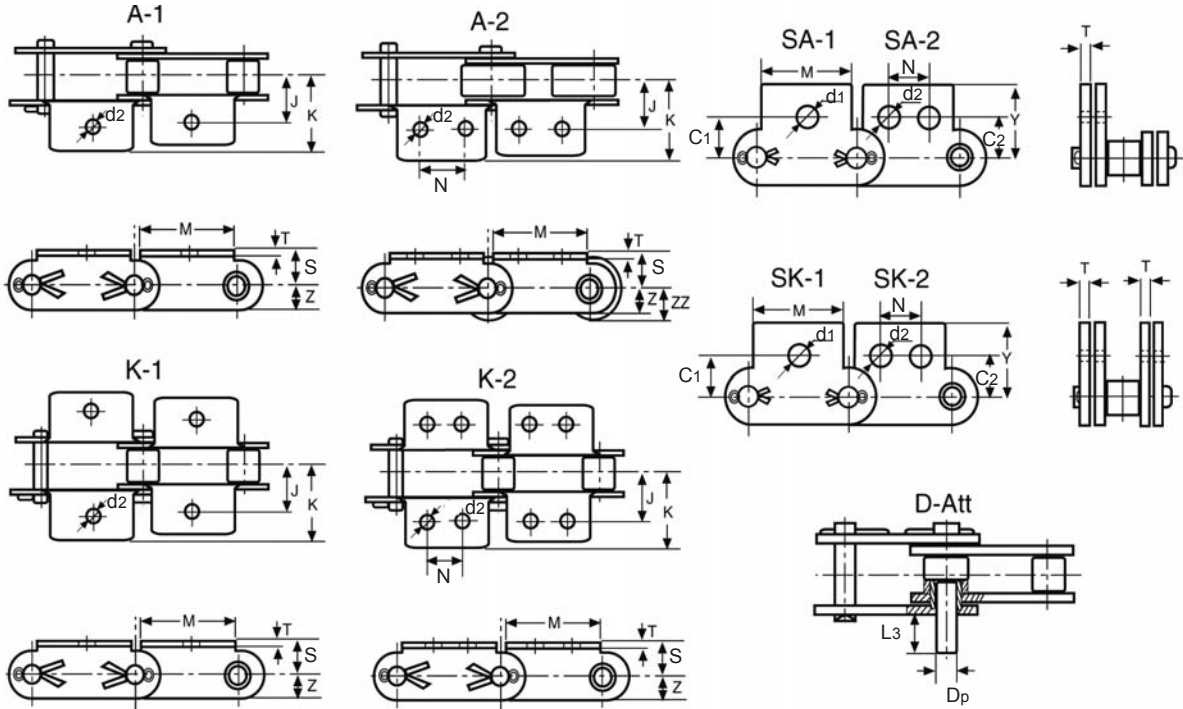
Single Pitch Attachments



HKK Chain No.	Chain Pitch	J	K	S	M	d	Z	C	X	Dp	L3
HKK 35	9.525	9.5	14.3	6.4	7.9	3.4	4.5	9.5	14.5	3.58	9.5
HKK 40	12.70	12.7	17.3	7.9	9.5	3.6	5.8	12.7	18.5	3.96	9.5
HKK 50	15.875	15.9	23.3	10.3	12.7	5.2	7.3	15.9	23.0	5.08	11.9
HKK 60	19.05	19.1	28.1	11.9	15.9	5.2	8.7	18.3	26.7	5.95	14.3
HKK 80	25.40	25.4	35.9	15.9	19.1	6.8	11.7	24.6	34.5	7.93	19.1
HKK 100	31.75	31.8	44.3	19.8	25.4	8.8	14.6	31.8	43.0	9.53	23.8
HKK 120	38.10	38.1	54.7	23.0	28.6	10.5	17.5	36.6	51.4	11.10	28.6
HKK 140	44.45	44.5	63.2	28.6	34.7	12.0	20.4	44.4	63.1	12.70	33.3
HKK 160	50.80	50.8	71.9	31.8	38.1	14.0	23.3	50.8	69.5	14.28	38.1

HKK Chain No.	Chain Pitch	T	W	H	L1	L2	Additional Weight				
							A att	K att	SA att	SK att	D att
HKK 35	9.525	1.25	4.78	9.0	5.9	6.8	0.9	1.8	0.9	1.8	0.8
HKK 40	12.70	1.5	7.95	11.7	8.2	9.1	1.2	2.4	1.2	2.4	1
HKK 50	15.875	2.0	9.53	14.6	10.3	11.6	4	8	4	8	2
HKK 60	19.05	2.4	12.70	17.5	12.7	13.9	6.5	13	6.5	13	3
HKK 80	25.40	3.2	15.88	23.4	16.2	18.8	13	26	13	26	7
HKK 100	31.75	4.0	19.05	29.3	19.6	23.2	27	54	27	54	12
HKK 120	38.10	4.8	25.40	35.1	24.7	28.5	47	94	47	94	20
HKK 140	44.45	5.6	25.40	40.9	26.9	31.2	65	130	65	130	30
HKK 160	50.80	6.4	31.75	46.7	32.1	36.4	88	176	88	176	45

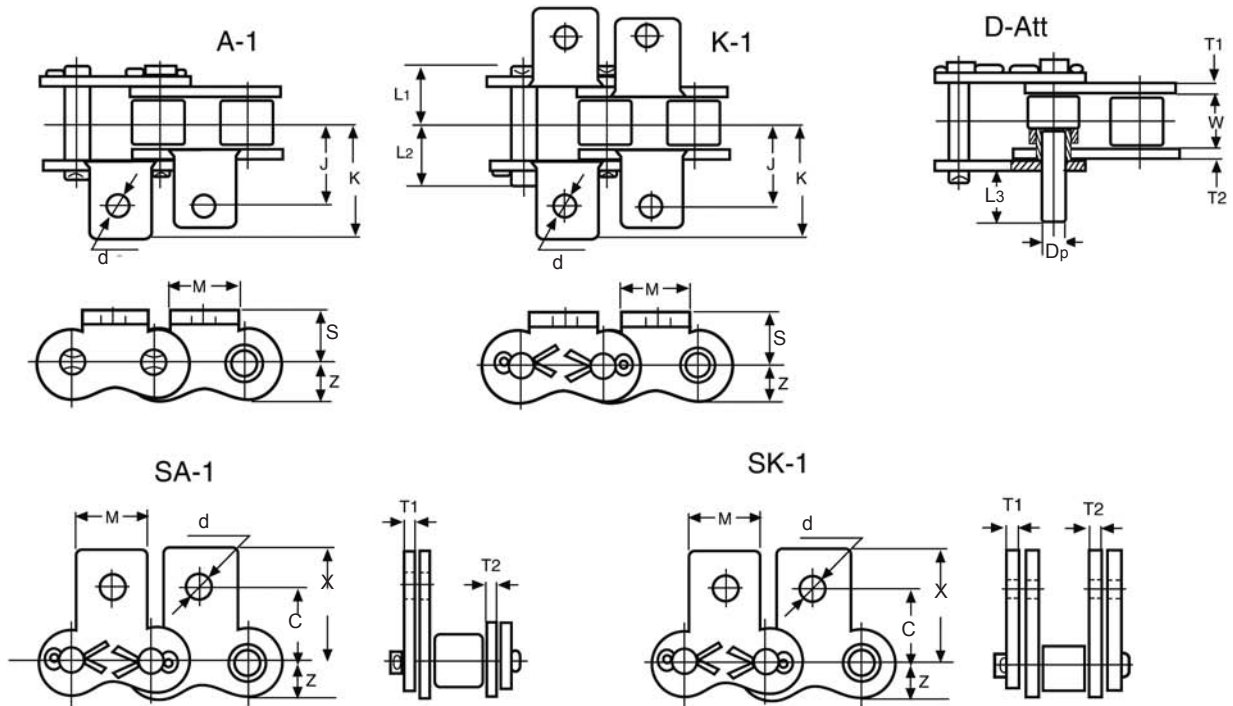
Double Pitch Attachments



HKK Chain No.	Chain Pitch	J	K	S	M	d1	d2	N	T	Z	ZZ
HKK C2040	25.40	12.7	19.2	9.1	19.1	5.2	3.6	9.5	1.5	5.7	
HKK C2042											7.94
HKK C2050	31.75	15.9	24.2	11.1	23.8	6.8	5.2	11.9	2.0	7.5	
HKK C2052											9.53
HKK C2060H	38.10	21.4	31.2	14.7	28.6	8.8	5.2	14.3	3.2	8.5	
HKK C2062H											11.11
HKK C2080H	50.80	27.8	40.6	19.1	38.1	10.5	6.8	19.1	4.0	11.3	
HKK C2082H											14.29
HKK C2100H	63.50	33.3	50.0	23.4	47.6	14.0	8.8	23.8	4.8	14.3	
HKK C2102H											19.84
HKK C2120H	76.20	39.7	61.9	27.8	57.2	16.0	10.5	28.6	5.6	17.4	
HKK C2122H											22.22
HKK C2160H	101.60	52.4	76.1	36.5	76.2	21.0	14.0	38.1	7.2	23.8	
HKK C2162H											28.58

HKK Chain No.	Chain Pitch	C1	C2	X	Dp	L3	Additional Weight				
							A att	K att	SA att	SK att	D att
HKK C2040	25.40	11.1	13.5	19.8	3.96	9.5	3.2	6.4	2.7	5.4	0.9
HKK C2042											
HKK C2050	31.75	14.3	15.9	24.6	5.08	11.9	6.3	12.6	5.9	11.8	1.8
HKK C2052											
HKK C2060H	38.10	17.5	19.1	30.6	5.95	14.3	14.9	29.8	14.4	28.8	3
HKK C2062H											
HKK C2080H	50.80	22.2	25.4	40.2	7.93	19.1	31.5	63	31.5	63	7
HKK C2082H											
HKK C2100H	63.50	28.6	31.8	50.3	9.53	23.8	64	128	66	132	12
HKK C2102H											
HKK C2120H	76.20	33.3	37.3	61.1	11.10	28.6	102	204	97	194	20
HKK C2122H											
HKK C2160H	101.60	44.5	50.8	76.2	14.28	38.1	262	524	233	466	44
HKK C2162H											

British Standard Attachments



HKK Chain No.	Chain Pitch	J	K	S	M	d	Z	C	X	Dp	L3
HKK 08B	12.70	13.8	20.9	8.5	11.0	4.3	5.9	13.7	20.8	4.45	14.8
HKK 10B	15.88	15.8	24.2	10.5	14.0	5.3	7.4	16.5	24.9	5.08	17.6
HKK 12B	19.05	17.6	27.3	12.2	18.0	6.4	8.1	18.5	28.1	5.72	20.7
HKK 16B	25.40	29.0	41.9	17.0	24.0	8.4	10.3	27.4	40.0	8.28	33.3
HKK 20B	31.75	34.5	49.3	21.0	30.0	10.5	13.2	33.0	47.5	10.16	38.3

HKK Chain No.	Chain Pitch	T1	T2	W	L1	L2	Additional Weight				
							A att	K att	SA att	SK att	D att
HKK 08B	12.70	1.5	1.5	7.75	8.4	9.6	2.0	4.0	2.0	4.0	1.8
HKK 10B	15.88	1.65	1.65	9.65	9.5	11.2	3.2	6.4	3.2	6.4	2.8
HKK 12B	19.05	1.8	1.8	11.68	11.0	12.6	4.5	9.0	4.5	9.0	4.1
HKK 16B	25.40	3.2	4.0	17.02	17.6	20.6	20	40	20	40	14.0
HKK 20B	31.75	3.5	4.7	19.56	20.1	23.9	25	50	25	50	24.3